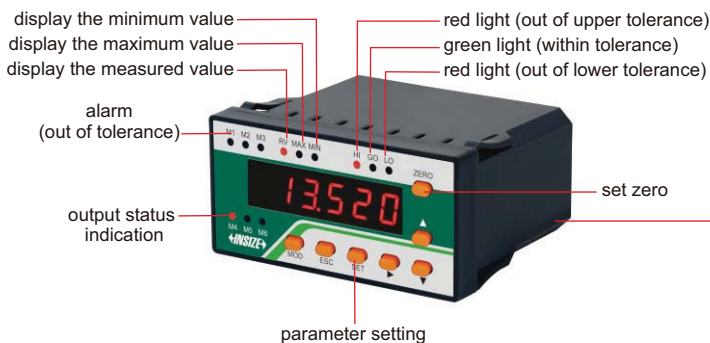
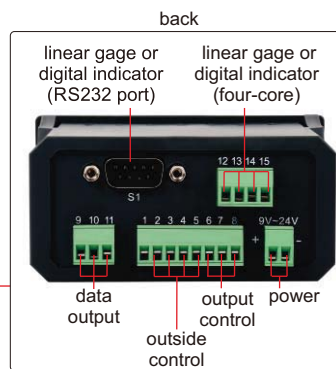


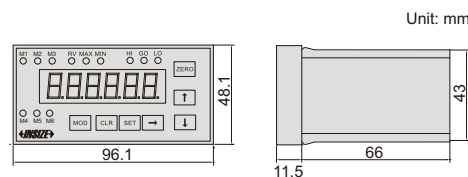
# DISPLAY UNIT FOR CAPACITANCE LINEAR GAGES CODE 7106-1A



7106-1A



- Can be connected with 7107-11, 7107-12, 7107-11V or 7107-12V linear gage, can also be connected with digital indicator (data cable 7309-C01M is needed)
- Set tolerance and make judgment (out of upper tolerance, within tolerance, out of lower tolerance), output the judgment to control outside devices, control from outside (set zero, hold reading and collect data)
- Software of display unit (included): in the software, it is possible to set tolerance and show judgment (red when out of tolerance, green when within tolerance), set zero, collect data manually or automatically (time is adjustable), output data to Excel, print report



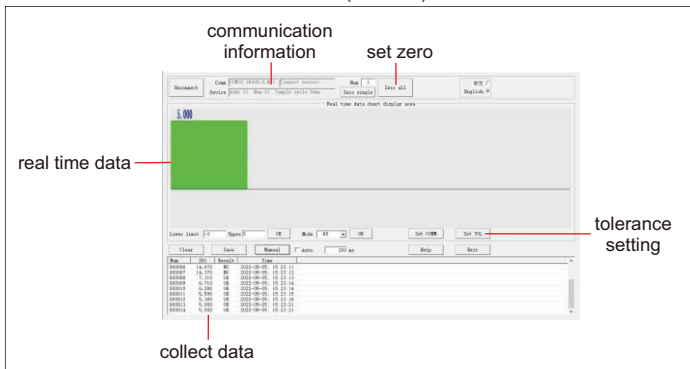
connected with 7107-11, 7107-12, 7107-11V or 7107-12V linear gage



connected with digital indicator (data cable 7309-C01M is needed)



software (included)



## SPECIFICATION

<b>Code</b>	7106-1A
<b>Display</b>	6 digits
<b>Quantity of linear gage or digital indicator to be connected</b>	1 pc
<b>Tolerance</b>	set tolerance and make judgment with alarm and lights (out of upper tolerance, within tolerance, out of lower tolerance)
<b>Output control</b>	output the tolerance judgment (out of upper tolerance, within tolerance, out of lower tolerance) to control outside devices
<b>Outside control</b>	control the display units from outside (set zero, hold reading and collect data)
<b>Data output</b>	connect to computer software and serial communication
<b>Power supply</b>	DC 9~24V